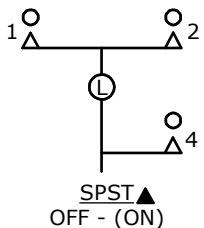


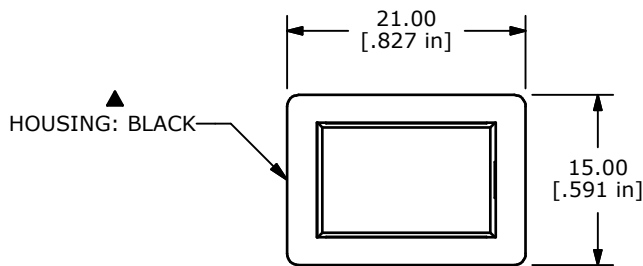
RECOMMENDED PANEL MOUNTING

PANEL THICKNESS	X
0.75-1.25	19.2
1.25-2.00	19.4
2.00-3.00	19.6

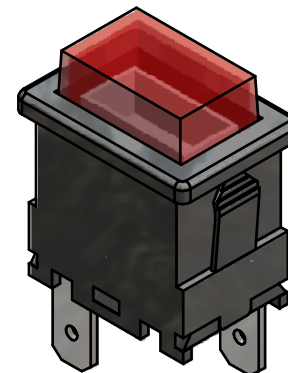


SWITCH FUNCTION	
POS. 1	POS. 2
OFF	ON
OPEN	(1-2)

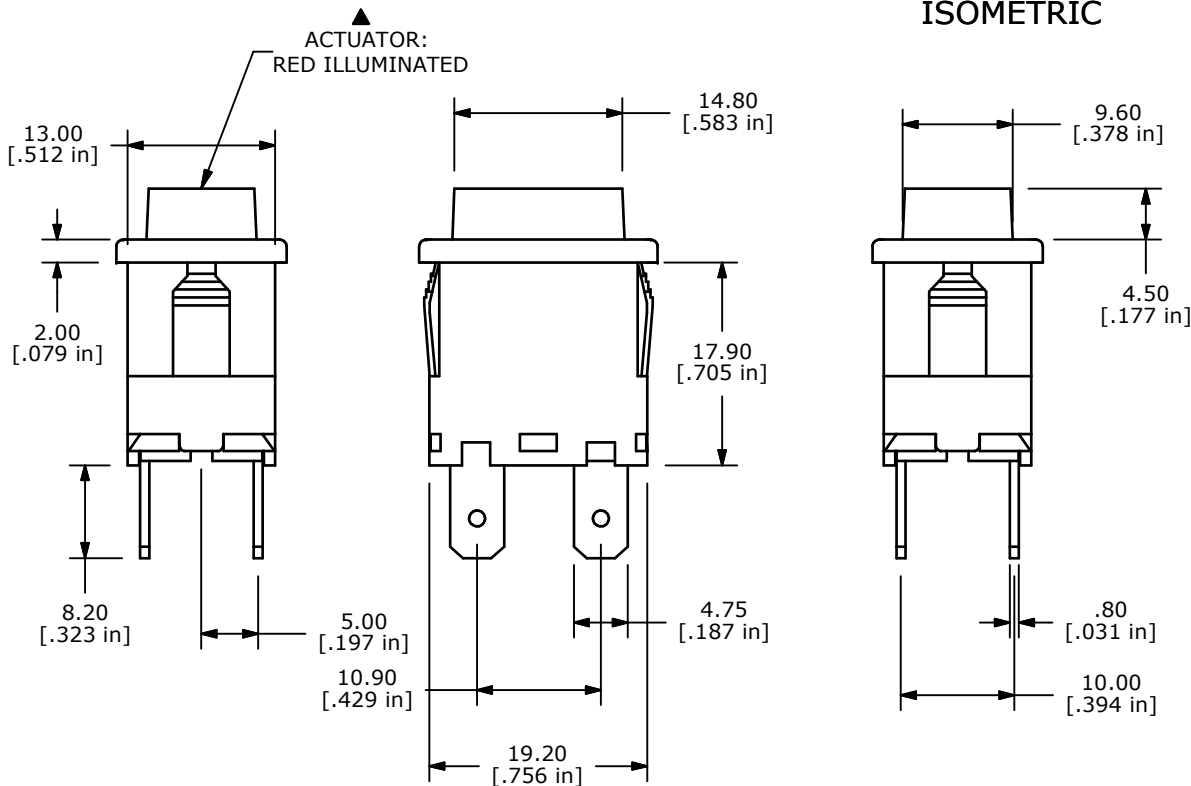
(ON) = MOMENTARY



HOUSING: BLACK



ISOMETRIC



- NOTES:
1. ALL DIMENSIONS IN MM [INCH]
 2. GENERAL TOLERANCE: X.X=± 0.4
X.XX=± 0.25
 3. MECHANICAL LIFE: 30,000
 4. ELECTRICAL LIFE: 10,000
 5. CONTACT RESISTANCE: 20 mILLI OHMS
 6. INSULATION RESISTANCE: 1000 MEGA OHMS
 7. OPERATING TEMPERATURE: -10°C TO 55°C
 8. CONTACT RATING: 15A-250 VAC, 125VAC UL APPROVED
10A 250VAC, VDE APPROVED
 9. DIELECTRIC STRENGTH: 1500V FOR 1 MIN
 10. LAMP: NEON 250VAC
 10. ▲ DENOTES CRITICAL PARAMETER
 11. 2002/95/EC (RoHS) COMPLIANT.
 12. OPERATING FORCE: 750±100grams



TITLE PB1973DBLKRILEF2				
SCALE 1.5	DATE 9/27/2007	DR BF	DWG M197312	REV B

B	1772	ADDED NOTE # 112	9/27/07	BF
REV	PCR NO	DESCRIPTION	DATE	BY

THE INFORMATION CONTAINED IN THIS DOCUMENT IS PROPRIETARY TO E-SWITCH AND IS NOT TO BE COPIED OR TRANSFERRED